



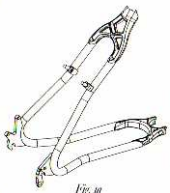
1 9 9 9

Commitment. Not a very appealing idea in a society driven by convenience. But while most people are happy with a medium two-ingredient pizza in 30 minutes or less, there are others who want more out of life. People in every corner of the world who want something no pizza guy can deliver. Hindu devotees in Malaysia that achieve religious rapture during a painful journey to the sacred Batu Caves. Asmat tribesmen in New Guinea who pay homage to the moon by fitting 12-inch shells through their septum. Suburbanites in Denver who seek fulfillment in the midst of exhaustion during the Leadville 100 mountain bike race. Maybe you're one of these people. If so, we build bicycles for you. Bikes that fit. Bikes that last. Bikes that perform. For the past fourteen years Yeti craftsmen have used the finest materials available and the most effective race-proven designs to create bicycles for the most committed rider. Like our Lawwill DH-8, the fastest downhill bike ever built, our cross-country specific A.S.-3, a fully active feather that quickly converts rolling singletrack into distant memory, the all new A.R.C., arguably the finest hardtail on the planet, or our Road Project, a sub-18 pound missile locked onto the nearest USCF finish line. Custom aluminum machines that will take you as far as you're willing to go. For most, that's not much farther than the couch. For you, it could be anywhere.

YETI a.r.c.

PRO XTR

- ALL NEW Yeti A.R.C. frame uses Custom Easton 7005 Aluminum with forged seatstay and chainstay yokes for improved strength, rigidity and tire clearance.
- The main frame features the traditional Yeti oval top tube with top tube cable routing to keep the cables up and out of the crud. While the vertically flared down tube combined with an externally butted headtube provides plenty of strength.
- Our famous loop tail is now lighter and stronger with our forged Backbone™ seatstay and chainstay yokes featuring strengthening ribs at all stress points and weight reducing voids throughout.
- The rear dropouts are completely re-designed with a replaceable derailleur hanger and disk brake compatibility.
- Ready to race. Cane Creek sealed headset, Easton EA70 bars, Mavic Crossmax wheels, Rock Shox SID SL 11 80mm fork, Shimano XTR 8-speed, Selle Royal Fizik saddle, Syncros stem and seatpost, Time ATAC pedals, Yeti Hardcore grips and Yeti Factor XC tires.
- Color: Team Black and Yellow, Black and Turquoise, Black and Metallic Blue.



Yeti's all new hardtail frame relies on the incredible strength of our forged Backbone™ seatstay and chainstay yokes to carry you through any challenge, from the rigors of the NORBA circuit to the unforgiving conditions of the Colorado backcountry.

The monks of Japan's Mount Hiei rely on the strength of their faith to carry them through the Sennichi Kaihogyo, a grueling physical and mental challenge which includes a 7 1/2 day stretch without food, water, rest or sleep, and a 100-day period of running 52 miles per day.



YETI a.r.c.

RACE XT



- ALL NEW Yeti A.R.C. frame uses Custom Easton 7005 aluminum with forged seatstay and chainstay yokes for improved strength, rigidity and tire clearance.
- The main frame features the traditional Yeti oval top tube with top tube cable routing to keep the cables up and out of the crud. While the vertically flared downtube combined with an externally butted headtube provides plenty of strength.
- Our famous loop tail is now lighter and stronger with our forged Backbone™ seatstay and chainstay yokes featuring strengthening ribs at all stress points and weight reducing voids throughout.
- The rear droopouts are completely re-designed with a replaceable derailleur hanger and disk brake compatibility.
- The hardware of your dreams. Cane Creek sealed headset, Mavic 222 rims, Rock Shox SID XC 80mm fork, Selle Royal Fizik saddle, Shimano XTR/XT 9-speed, Syncros stem and seatpost, Time ATAC pedals, Yeti Comp 8061 riser bars, Hardcore grips and Factor XC tires.
- Color: Team Black and Yellow, Black and Turquoise, Black and Metallic Blue.



Fig. 2a

On the coast of Ghana, traditional Ewe people heat hand-wrought knives in fire and then apply them to the tongue during intense voodoo ceremonies. They are protected from harm by the healing god, Flimani Koku, whom they invoke with song, dance and blood offerings.

Not unlike the tongue of a Ewe worshipper, Yeti's custom-drawn 7005 Easton Elite tubing is thoroughly heat-treated, giving it uniform strength and protecting it from the evils of molecular imperfection.

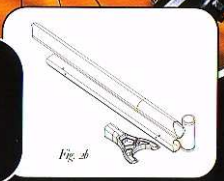


Fig. 2b

YETI A.R.C.

COMPL/XT

- ALL NEW Yeti A.R.C. frame uses Custom Easton 7005 aluminum with forged seatstay and chainstay yokes for improved strength, rigidity and tire clearance.
- The main frame features the traditional Yeti oval top tube with top tube cable routing to keep the cables up and out of the crud. While the vertically flared downtube combined with an externally butted head tube provides plenty of strength.
- Our famous loop tail is now lighter and stronger with our forged Backbone™ seatstay and chainstay yokes featuring strengthening ribs at all stress points and weight reducing voids throughout.
- The rear dropouts are completely redesigned with a replaceable derailleur hanger and disk brake compatibility.
- Our best frame with affordable parts: Cane Creek sealed headset, Easton EA70 bars, Mavic 222 rims, Rock Shox Judy SL 80mm fork, Selle Royal Fizik saddle, Shimano XT/LX 9-speed, Syncros stem and seatpost, Time ATAC pedals, Yeti Hardcore grips and Factor XC tires.
- Color: Team Black and Yellow, Black and Turquoise, Black and Metallic Blue.



Fig. 09

The Maori, indigenous people of New Zealand, once tattooed elaborate swirls on their faces to strike fear into the hearts of their enemies and ensure that they always looked fierce in battle. The practice was reserved for warriors of the royal class.



Fig. 06

The perfect swirls (read: beads) of Yeti's TIG welding, ridden into countless conflicts by warriors at the professional and privateer level, serve notice that your bike is always ready for battle. Craftsmanship in a class by itself.



The Asmat people of New Guinea place Bi Pane (8-12" nose ornaments made of shell) through a large hole in the septum, believed to symbolize the moon, the wild boar (which holds a place of high esteem in Asmat culture), and the human skulls which the warriors once collected.



- Re-designed for 1999, fully-active, full-suspension design. Custom Easton 7005 aluminum main frame with 6061 aluminum chainstay and seatstay assemblies.
- Extruded Unibody bottom bracket design combines a one-piece bottom bracket and main pivot with an extruded chainstay yoke to minimize lateral flex at the lower pivot. The lower pivot is positioned above and slightly forward of the bottom bracket effectively eliminating drive train induced action on the suspension.
- Seatstay pivot points utilize a sealed cartridge bearing which delivers excellent torsional rigidity and maintenance-free reliability.
- Rock Shox SID strut shock with dual air technology and remote lockout, infinitely adjustable compression and negative air spring and externally adjustable rebound damping all in a super lightweight package.
- Rear dropout is disk brake compatible.
- Out-of-the-box performance. Dane Creek sealed headset, Mavic 222 rims, Rock Shox SID XC 80mm fork, Selle Royal Fizik saddle, Shimano XT/XTL 8-speed, Syncros stem and seatpost, Time ATAC pedals, Yeti Camp 8061 riser bars, Yeti hardcore grips and Yeti Factor XC grips.
- Colors: Team Black and Yellow, Black and Metallic Orange.

YETI *f.a.s.-3*
RACE XT

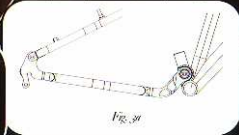
YETI **a.s.-3**

COMPL/XT

- Re-designed for 1999, fully-active, full-suspension design. Custom Easton 7005 aluminum main frame with 6061 aluminum chainstay and seatstay assemblies.
- Extruded Unibody bottom bracket design combines a one-piece bottom bracket and main pivot with an extruded chainstay yoke to minimize lateral flex at the lower pivot. The lower pivot is positioned above and slightly forward of the bottom bracket effectively eliminating drive train induced action on the suspension.
- Seatstay pivot points utilize a sealed cartridge bearing which delivers excellent torsional rigidity and maintenance-free reliability.
- Rock Shox SID strut shock with dual air technology and remote lockout, infinitely adjustable compression and negative air spring and externally adjustable rebound damping all in a super lightweight package.
- Disk brake compatible rear dropout.
- Full-Suspension with plenty of features. Cane Creek sealed headset, Easton EA70 bars, Mavic 222 rims, Rock Shox Judy SL 80mm fork, Selle Royal Fizik saddle, Shimano XT/LX 9-speed, Syncros stem and seatpost, Time ATAC pedals, Yeti Hardcore grips and Yeti Factor XC tires.
- Color: Team Black and Yellow, Black and Metallic Orange.

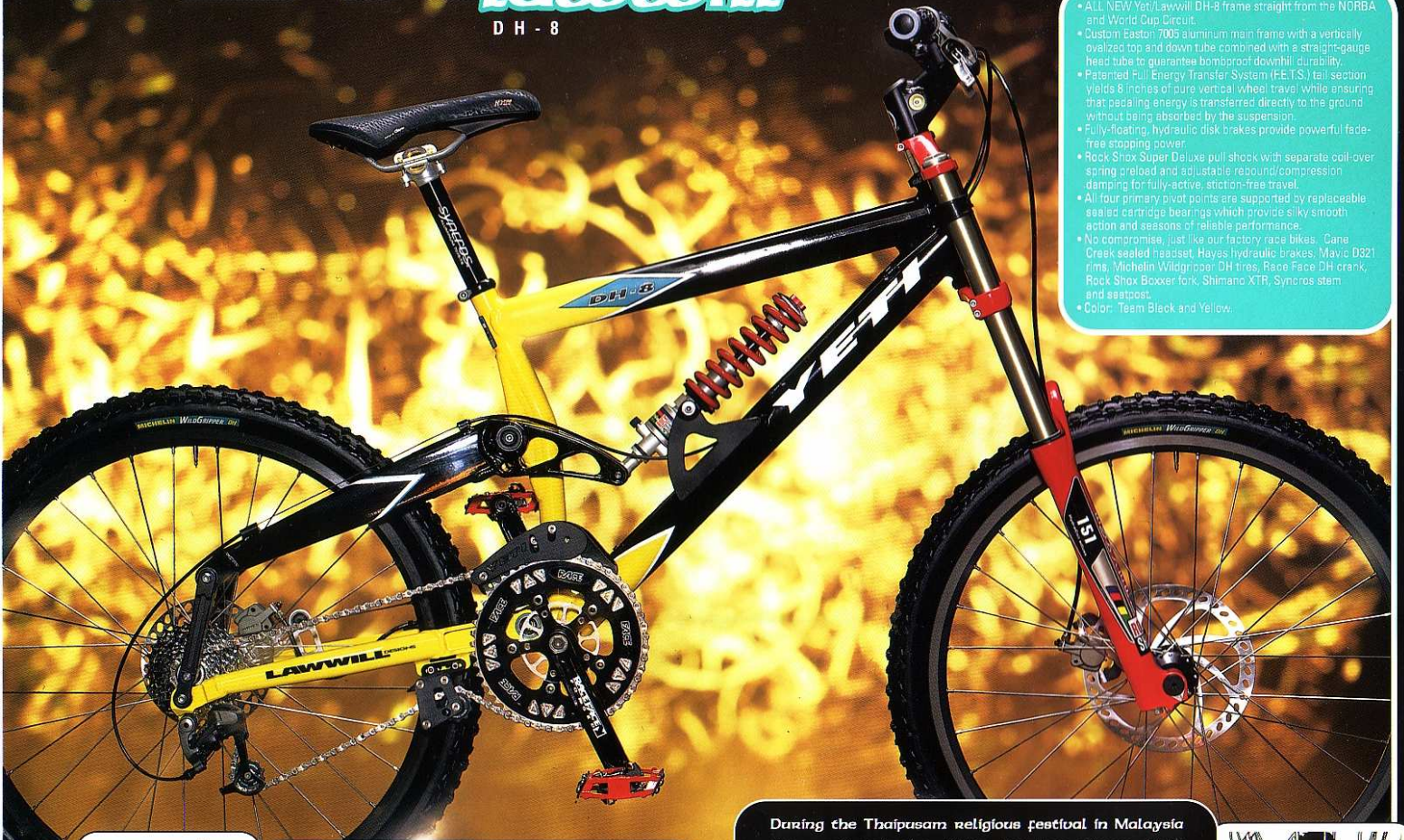


Yeti engineers placed the A.S.-3 pivot through a large, integral hole in the bike's new extruded Unibody bottom bracket, rendering this critical area of the bike completely immune to frame flex, drive-train induced pogo, and random boar attacks.

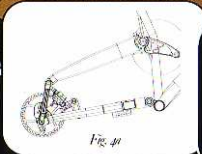


YETI Lawwill

DH - 8



- ALL NEW Yeti/Lawwill DH-8 frame straight from the NORBA and World Cup Circuit.
- Custom Easton 7005 aluminum main frame with a vertically ovalized top and down tube combined with a straight-gauge head tube to guarantee bombproof downhill durability.
- Patented Full Energy Transfer System (F.E.T.S.) tail section yields 8 inches of pure vertical wheel travel while ensuring that pedaling energy is transferred directly to the ground without being absorbed by the suspension.
- Fully-floating hydraulic disk brakes provide powerful fade-free stopping power.
- Rock Shox Super Deluxe pull shock with separate coil-over spring preload and adjustable rebound/compression damping for fully-active, stiction-free travel.
- All four primary pivot points are supported by replaceable sealed cartridge bearings which provide silky smooth action and seasons of reliable performance.
- No compromise, just like our factory race bikes. Came Creek sealed headset, Hayes hydraulic brakes, Mavic D321 rims, Michelin Wildgrip DH tires, Race Face DH crank, Rock Shox Boxer fork, Shimano XTR, Syncros stem and seatpost.
- Color: Team Black and Yellow.



Thanks to the patented Full Energy Transfer System (F.E.T.S.) tail section and eight inches of divinely progressive travel, people who descend on the Yeti Lawwill DH-8 achieve a state of total ecstasy during their journey to the finish line. The most devoted reach the podium, or bleed.

During the Thaipusam religious festival in Malaysia the most extreme Hindu devotees pierce their cheeks with metal rods and carry kavadi, ornate wooden arcs which hold offerings and are attached to the skin with metal hooks. During their ascent to the Batu Caves, the most devoted reach a state of total ecstasy and are said not to bleed.



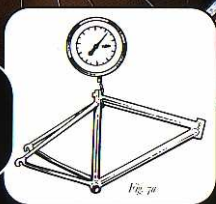
YETI road project

- Custom Easton Elite 7005 Aluminum combined with race-proven geometry wrapped up in a 2.5 pound package.
- Internally and externally-tapered seatstays for improved shock absorption and comfort.
- Oversized, tapered chainstays for sprint-winning torsional rigidity and low-profile crank clearance.
- Traditional size-specific geometry for a perfect fit and predictable handling.
- Our best kept secret: Cane Creek sealed headset, Continental Grand Prix 3000 tires, Mavic Classics Pro wheels, Shimano Dura-Ace/Ultegra 9-speed, Synros seatpost, TTT bars and stem, Time Club carbon fork.
- Color: Team Black and Yellow.



In Burma, Paduang women place one brass or copper ring around the neck each year until the height reaches 10 inches or more. The neck is not actually elongated, but the shoulders and ribs are pushed down by the stack, which can weigh 20-pounds or more.

Much preferable to 20 pounds of copper is the 2.5 pound aluminum Yeti Road Project frame, a classically-configured Easton Elite masterpiece that will put you head and shoulders above the competition.



YETI parts & ACCESSORIES



oval logo hat



ice-ax headband



factory race team hat



ice-ax hat



wool varsity jacket
s-xxl



fleece vest
s-xxl



colorado flag t-shirt



hard core speed grips



speed plugs

speed grips



yeti factor series tires
kevlar beaded

T/2-4 tapered downhill bar



comp 6061 riser bar

yeti/troy lee designs jersey
long sleeve, s-xl



yeti/troy lee designs jersey
s-xl



team t-shirt



cycling socks
m-l

yetiman bottle opener



shot glass



shop apron

water bottles
22oz or 30 oz



pint glass



evolution coffee mug

sticker pack



ice-ax t-shirt

A.R.C. XTR pro

SIZES 14", 16", 17.5", 19", 20"
(COMPLETE & FRAME ONLY)

COLOR TEAM BLACK/YELLOW
BLACK/TURQUOISE
BLACK/METALLIC BLUE

FRAME YETI/EASTON 7005 CUSTOM TAPERED ALUMINUM FRAME, SUSPENSION-SPECIFIC DESIGN, OVALIZED TOP TUBE, VERTICALLY FLARED DOWN TUBE, EXTERNALLY PROFILED HEAD TUBE, 3-BEND TAIL W/FORGED SEATSTAY & CHAINSTAY YOKES, REPLACEABLE DERAILLEUR HANGER, DISK BRAKE DROPOUT

FORK ROCK SHOX SID SL - 80mm TRAVEL

REAR SHOCK N/A

HEADSET CANE CREEK SS ALLOY A-HEADSET, SEALED BEARING

CRANKSET SHIMANO XTR 4-ARM, MEGA-9, 24-34-46T

FRONT DERAILLEUR SHIMANO XTR, MEGA-9, TOP SWING/TOP PULL

REAR DERAILLEUR SHIMANO XTR, MEGA-9

SHIFTERS SHIMANO XTR RAPIDFIRE, MEGA-9

FREEWHEEL SHIMANO XTR, MEGA-9, 12-34T

PEDALS TIME ATAC CLIPLESS ALLOY

BRAKES/LEVERS F: SHIMANO XTR V-BRAKE/RAPIDFIRE
R: SHIMANO XTR V-BRAKE/RAPIDFIRE

HANDLEBAR YETI/EASTON EA70, TAPERED ALLOY

GRIPS YETI HARDCORE DUAL-DENSITY

STEM SYNCROS HINGED A-HEAD

HUBS F: MAVIC CROSSMAX
R: MAVIC CROSSMAX

RIMS MAVIC CROSSMAX

SPOKES R: MAVIC CROSSMAX

TIRES YETI FACTOR

SADDLE SELLE ROYAL FIZIK

SEAT POST SYNCROS 7075, 26.8mm

A.R.C. XT race

SIZES 14", 16", 17.5", 19", 20"
(COMPLETE & FRAME ONLY)

COLOR TEAM BLACK/YELLOW
BLACK/TURQUOISE
BLACK/METALLIC BLUE

FRAME YETI/EASTON 7005 CUSTOM TAPERED ALUMINUM FRAME, SUSPENSION-SPECIFIC DESIGN, OVALIZED TOP TUBE, VERTICALLY FLARED DOWN TUBE, EXTERNALLY PROFILED HEAD TUBE, 3-BEND TAIL W/FORGED SEATSTAY & CHAINSTAY YOKES, REPLACEABLE DERAILLEUR HANGER, DISK BRAKE DROPOUT

FORK ROCK SHOX SID XC - 80mm TRAVEL

REAR SHOCK N/A

HEADSET CANE CREEK C2 ALLOY A-HEADSET, SEALED BEARING

CRANKSET SHIMANO DEORE XT, MEGA-9, 22-32-44T

FRONT DERAILLEUR SHIMANO DEORE XT, MEGA-9, TOP SWING/TOP PULL

REAR DERAILLEUR SHIMANO XTR, MEGA-9

SHIFTERS SHIMANO DEORE XT, RAPIDFIRE, MEGA-9

FREEWHEEL SHIMANO DEORE XT, MEGA-9, 11-32T

PEDALS TIME ATAC CLIPLESS ALLOY

BRAKES/LEVERS F: SHIMANO DEORE XT V-BRAKE/RAPIDFIRE
R: SHIMANO DEORE XT V-BRAKE/RAPIDFIRE

HANDLEBAR YETI COMP DH, TAPERED ALLOY

GRIPS YETI HARDCORE DUAL-DENSITY

STEM SYNCROS HINGED A-HEAD

HUBS F: SHIMANO DEORE XT, 32H
R: SHIMANO DEORE XT, 32H

RIMS MAVIC X222 S AL/NEB, 32H

SPOKES F: DT 1.8 CHAMPION STAINLESS STEEL W/ALLOY NIPPLES
R: DT 1.8 CHAMPION STAINLESS STEEL W/ALLOY NIPPLES

TIRES YETI FACTOR

SADDLE SELLE ROYAL FIZIK

SEAT POST SYNCROS 7075, 26.8mm

A.R.C. L/XT comp

SIZES 14", 16", 17.5", 19", 20"
(COMPLETE & FRAME ONLY)

COLOR TEAM BLACK/YELLOW
BLACK/TURQUOISE
BLACK/METALLIC BLUE

FRAME YETI/EASTON 7005 CUSTOM TAPERED ALUMINUM FRAME, SUSPENSION-SPECIFIC DESIGN, OVALIZED TOP TUBE, VERTICALLY FLARED DOWN TUBE, EXTERNALLY PROFILED HEAD TUBE, 3-BEND TAIL W/FORGED SEATSTAY & CHAINSTAY YOKES, REPLACEABLE DERAILLEUR HANGER, DISK BRAKE DROPOUT

FORK ROCK SHOX JUDY SL - 80mm TRAVEL

REAR SHOCK N/A

HEADSET CANE CREEK C2 ALLOY A-HEADSET, SEALED BEARING

CRANKSET SHIMANO DEORE LX, MEGA-9, 22-32-44T

FRONT DERAILLEUR SHIMANO DEORE XT, MEGA-9, TOP SWING/TOP PULL

REAR DERAILLEUR SHIMANO DEORE XT

SHIFTERS SHIMANO DEORE LX, RAPIDFIRE, MEGA-9

FREEWHEEL SHIMANO DEORE LX, MEGA-9, 11-32T

PEDALS TIME ATAC CLIPLESS ALLOY

BRAKES/LEVERS F: SHIMANO DEORE LX V-BRAKE/RAPIDFIRE
R: SHIMANO DEORE LX V-BRAKE/RAPIDFIRE

HANDLEBAR YETI/EASTON EA70, TAPERED ALLOY

GRIPS YETI HARDCORE DUAL-DENSITY

STEM SYNCROS HINGED A-HEAD

HUBS F: SHIMANO DEORE LX, 32H
R: SHIMANO DEORE LX, MEGA-9, 32H

RIMS MAVIC X222 S AL/NEB, 32H

SPOKES F: DT 1.8 CHAMPION STAINLESS STEEL W/ALLOY NIPPLES
R: DT 1.8 CHAMPION STAINLESS STEEL W/ALLOY NIPPLES

TIRES YETI FACTOR

SADDLE SELLE ROYAL FIZIK

SEAT POST SYNCROS 7075, 26.8mm

ROAD PROJECT ULTEGRA

SIZES 49, 51, 53, 55, 57, 59, 61 cm
(COMPLETE & FRAMESET)

COLOR TEAM BLACK/YELLOW

FRAME YETI/EASTON 7005 CUSTOM TAPERED ALUMINUM FRAME, OVALIZED TOP TUBE, FASTBACK DOUBLE-TAPERED SEAT STAYS, OVERSIZED, DOUBLE-TAPERED CHAIN STAYS

FORK W/LOW PROFILE 5-BEND

REAR SHOCK TIME CLUB STRAIGHT BLADE

HEADSET N/A

CRANKSET CANE CREEK SS ALLOY A-HEADSET, SEALED BEARING

FRONT DERAILLEUR SHIMANO ULTEGRA, 53-39T

REAR DERAILLEUR SHIMANO ULTEGRA, BRAZE-ON TYPE

SHIFTERS SHIMANO DURA ACE 9-SPEED

FREEWHEEL SHIMANO ULTEGRA, 9-SPEED, 12-23T

PEDALS N/A

BRAKES/LEVERS F: SHIMANO ULTEGRA DUAL PIVOT/ DUAL CONTROL
R: SHIMANO ULTEGRA DUAL PIVOT/ DUAL CONTROL

HANDLEBAR TTT FORMA SL

GRIPS CORK

STEM TTT FORGE A-HEAD

HUBS F: MAVIC CLASSICS PRO
R: MAVIC CLASSICS PRO

RIMS MAVIC CLASSICS PRO

SPOKES R: MAVIC CLASSICS PRO

TIRES CONTINENTAL GRAND PRIX 3900 700x23

SADDLE SELLE ROYAL PAVE

SEAT POST SYNCROS 7075, 27.2mm

A.S.-3 RACE XT

SIZES 16", 17.5", 19", 20" (COMPLETE & FRAME ONLY)

COLOR TEAM BLACK/YELLOW MAIN W/BLACK SEATSTAY & YELLOW CHAINSTAY
BLACK/METALLIC ORANGE MAIN W/BLACK SEATSTAY & METALLIC ORANGE CHAINSTAY

FRAME EASTON 7005 CUSTOM TAPERED ALUMINUM MAIN, SUSPENSION-SPECIFIC DESIGN, UNIBODY SUSPENSION BOTTOM BRACKET, EXTERNALLY PROFILED HEAD TUBE, ROCK SHOX SID AIR SHOCK W/ADJUSTABLE DAMPING & NEGATIVE SPRING, DISK BRAKE DROPOUT

FORK ROCK SHOX SID XC - 80mm TRAVEL

REAR SHOCK ROCK SHOX SID AIR "STRUT" SHOCK, REMOTE LOCKOUT

HEADSET CANE CREEK C2 ALLOY A-HEADSET, SEALED BEARING

CRANKSET SHIMANO DEORE XT, MEGA-9, 22-32-44T

FRONT DERAILLEUR SHIMANO DEORE XT, MEGA-9, TOP SWING/BOTTOM PULL

REAR DERAILLEUR SHIMANO XTR, MEGA-9

SHIFTERS SHIMANO DEORE XT, RAPIDFIRE, MEGA-9

FREEWHEEL SHIMANO DEORE XT, MEGA-9, 11-32T

PEDALS TIME ATAC CLIPLESS ALLOY

BRAKES/LEVERS F: SHIMANO DEORE XT V-BRAKE/RAPIDFIRE
R: SHIMANO DEORE XT V-BRAKE/RAPIDFIRE

HANDLEBAR YETI COMP DH, TAPERED ALLOY

GRIPS YETI HARDCORE DUAL-DENSITY

STEM SYNCROS HINGED A-HEAD

HUBS F: SHIMANO DEORE XT, 32H
R: SHIMANO DEORE XT, MEGA-9 FREEHUB, 32H

RIMS MAVIC X222 S AL/NEB, 32H

SPOKES F: DT 1.8 CHAMPION STAINLESS STEEL W/ALLOY NIPPLES
R: DT 1.8 CHAMPION STAINLESS STEEL W/ALLOY NIPPLES

TIRES YETI FACTOR

SADDLE SELLE ROYAL FIZIK

SEAT POST SYNCROS 7075, 26.8mm

A.S.-3 COMP L/XT

SIZES 16", 17.5", 19", 20" (COMPLETE & FRAME ONLY)

COLOR TEAM BLACK/YELLOW MAIN W/BLACK SEATSTAY & YELLOW CHAINSTAY
BLACK/METALLIC ORANGE MAIN W/BLACK SEATSTAY & METALLIC ORANGE CHAINSTAY

FRAME EASTON 7005 CUSTOM TAPERED ALUMINUM MAIN, SUSPENSION-SPECIFIC DESIGN, UNIBODY SUSPENSION BOTTOM BRACKET, EXTERNALLY PROFILED HEAD TUBE, ROCK SHOX SID AIR SHOCK W/ADJUSTABLE DAMPING & NEGATIVE SPRING, DISK BRAKE DROPOUT

FORK ROCK SHOX JUDY SL - 80mm TRAVEL

REAR SHOCK ROCK SHOX SID AIR "STRUT" SHOCK, REMOTE LOCKOUT

HEADSET CANE CREEK C2 ALLOY A-HEADSET, SEALED BEARING

CRANKSET SHIMANO DEORE LX, MEGA-9, 22-32-44T

FRONT DERAILLEUR SHIMANO DEORE XT, MEGA-9, TOP SWING/BOTTOM PULL

REAR DERAILLEUR SHIMANO DEORE XT, MEGA-9

SHIFTERS SHIMANO DEORE LX, RAPIDFIRE, MEGA-9

FREEWHEEL SHIMANO DEORE LX, MEGA-9, 11-32T

PEDALS TIME ATAC CLIPLESS ALLOY

BRAKES/LEVERS F: SHIMANO DEORE LX V-BRAKE/RAPIDFIRE
R: SHIMANO DEORE LX V-BRAKE/RAPIDFIRE

HANDLEBAR YETI/EASTON EA70, TAPERED ALLOY

GRIPS YETI HARDCORE DUAL-DENSITY

STEM SYNCROS HINGED A-HEAD

HUBS F: SHIMANO DEORE LX, 32H
R: SHIMANO DEORE LX, MEGA-9, 32H

RIMS MAVIC X222 S AL/NEB, 32H

SPOKES F: DT 1.8 CHAMPION STAINLESS STEEL W/ALLOY NIPPLES
R: DT 1.8 CHAMPION STAINLESS STEEL W/ALLOY NIPPLES

TIRES YETI FACTOR

SADDLE SELLE ROYAL FIZIK

SEAT POST SYNCROS 7075, 26.8mm

LAWWILL - DH-8 XTR

SIZES SMALL, MEDIUM, LARGE (COMPLETE & FRAME ONLY)

COLOR TEAM BLACK/YELLOW W/BLACK SEATSTAY & YELLOW CHAINSTAY

FRAME EASTON 7005 TAPERED ALUMINUM MAIN FRAME/6061 LAWWILL FULL ENERGY TRANSFER SYSTEM (F.E.T.S.) TAIL SUSPENSION-SPECIFIC DESIGN, ADJUSTABLE RIDE HEIGHT, ROCK SHOX COUPE DELUXE PULL SHOCK W/ADJUSTABLE DAMPING AND PRE-LOAD, HYDRAULIC DISK BRAKES FRONT & REAR

FORK ROCK SHOX BOXER - 151mm TRAVEL/20mm THRU-AXLE

REAR SHOCK ROCK SHOX COUPE DELUXE "YANK" SHOCK

HEADSET CANE CREEK SS ALLOY A-HEADSET, SEALED BEARING

CRANKSET RACE FACE TURBINE LP DH 170mm

FRONT DERAILLEUR N/A

REAR DERAILLEUR SHIMANO XTR, MEGA-9

SHIFTERS SHIMANO XTR, RAPIDFIRE POD STYLE (REAR ONLY) 9-SPEED

FREEWHEEL SHIMANO XTR, MEGA-9, 11-32T

PEDALS SHIMANO SPD S8 DH NIPPLES

BRAKES/LEVERS R: HAYES HYDRAULIC DISK/HAYES HYDRAULIC
YETI T2-4 DH, TAPERED ALLOY
YETI HARDCORE DUAL-DENSITY
SYNCROS HINGED A-HEAD

HANDLEBAR F: RINGLE DISK, 20mm THRU AXLE, 32H
R: RINGLE DISK THRU AXLE, 9-SPEED, 32H

GRIPS MAVIC D31 DISK CO, 32H

STEM F: DT 2.0 CHAMPION STAINLESS STEEL W/BRASS NIPPLES

HUBS R: DT 2.0 CHAMPION STAINLESS STEEL W/BRASS NIPPLES

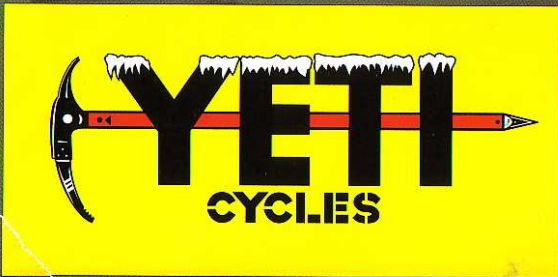
RIMS STAINLESS STEEL W/BRASS NIPPLES

SPOKES MICHELIN WLDGRIPPER DH

TIRES SELLE ROYAL FIZIK

SADDLE SELLE ROYAL FIZIK

SEAT POST SYNCROS 7075, 26.8mm



ice-ax banner 27" x55"



yeti race team patch

oval logo patch



team wind shell jacket



team jersey



team short

team DH jersey

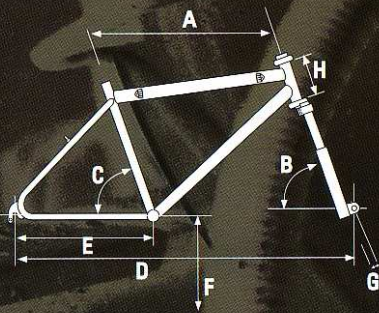


team jersey, sleeveless



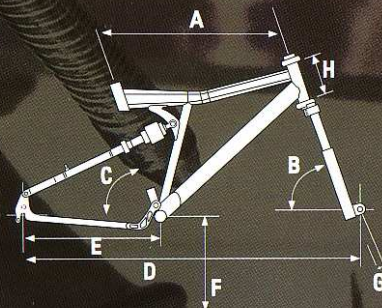
YETI parts & ACCESSORIES

YETI specs & GEOMETRY



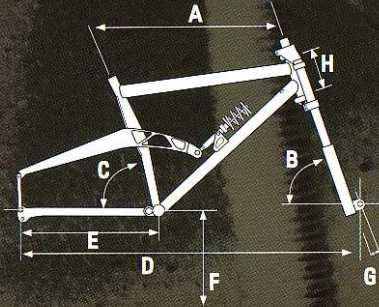
ARC

	14"	16"	17.5"	19"	20"
A	21.7"	23.0"	23.4"	23.8"	24.3"
B	71°*	71°*	71°*	71°*	71°*
C	74°	73°	73°	73°	72°
D	40.8"	41.5"	42.0"	42.25"	42.25"
E	16.9"	16.9"	16.9"	16.9"	16.9"
F	11.0"	11.5"	11.5"	11.5"	11.5"
G	1.62"	1.62"	1.62"	1.62"	1.62"
H	4.0"	4.5"	4.5"	5.25"	6.0"
Stand-over	27.75"	29.25"	29.75"	30.5"	31.75"



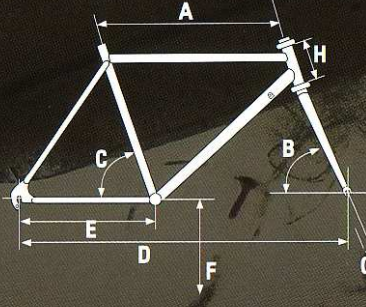
A.S. - 3

	16"	17.5"	19"	20"
A	23.0"	23.4"	23.8"	24.3"
B	71°*	71°*	71°*	71°*
C	73°	73°	73°	72°
D	41.3"	42.3"	42.7"	43.2"
E	16.9"	16.9"	16.9"	16.9"
F	11.5"	11.5"	11.5"	11.5"
G	1.62"	1.62"	1.62"	1.62"
H	4.5"	4.5"	5.25"	6.0"
Stand-over	28.5"	29.0"	29.75"	31.0"



LAWWILL DH - 8

	S	M	L
A	22.5"	23.5"	24.3"
B	67°*	67°*	67°*
C	73°	73°	73°
D	43.5"	45.2"	46.0"
E	17.5"	17.5"	17.5"
F	15.0"	15.0"	15.0"
G	1.62"	1.62"	1.62"
H	4.5"	4.5"	4.5"
Stand-over	31.5"	32.5"	33.5"



ROAD PROJECT

	49cm	51cm	53cm	55cm	57cm	59cm	61cm
A	52.5cm	53.3cm	54.3cm	55.6cm	56.5cm	57.4cm	58.5cm
B	72.5°	73°	73°	73.5°	73.5°	74°	74°
C	74°	74°	74°	73.5°	73°	73°	72.5°
D	97.0cm	97.5cm	98.0cm	98.0cm	98.4cm	99.1cm	100.2cm
E	40.9cm	40.9cm	40.9cm	40.9cm	40.9cm	40.9cm	40.9cm
F	26.9cm	26.9cm	26.9cm	26.9cm	26.9cm	26.9cm	26.9cm
G	4.0cm	4.0cm	4.0cm	4.0cm	4.0cm	4.0cm	4.0cm
H	9.0cm	9.0cm	11.0cm	12.5cm	14.5cm	16.0cm	18.0cm
Stand-over	74.0cm	76.0cm	78.0cm	80.0cm	81.5cm	83.5cm	85.5cm

* DEPENDING ON SET-UP AND FORK SAG

Seatpost Diameter: All MTB Models, 26.8mm • Road Project, 27.2mm

Headset Diameter: All MTB Models, 1.125" • Road Project, 1.0"

Bottom Bracket Width: All MTB Models, 73mm • Road Project 68mm; English Standard Threading

Front Derailleur Diameter: Yeti/Lawwill DH - Bottom Bracket Mount • A.R.C. and Road Project, 1.125"/31.8mm • A.S.-3, 1.125"/28.6mm

Specifications Subject to Change Without Notice



faster by design

yeti cycles inc. 1690 38th street boulder, co usa 80301-2602 800.531.2340 www.yeticycles.com
yeti is a registered trademark of yeti cycles, inc.