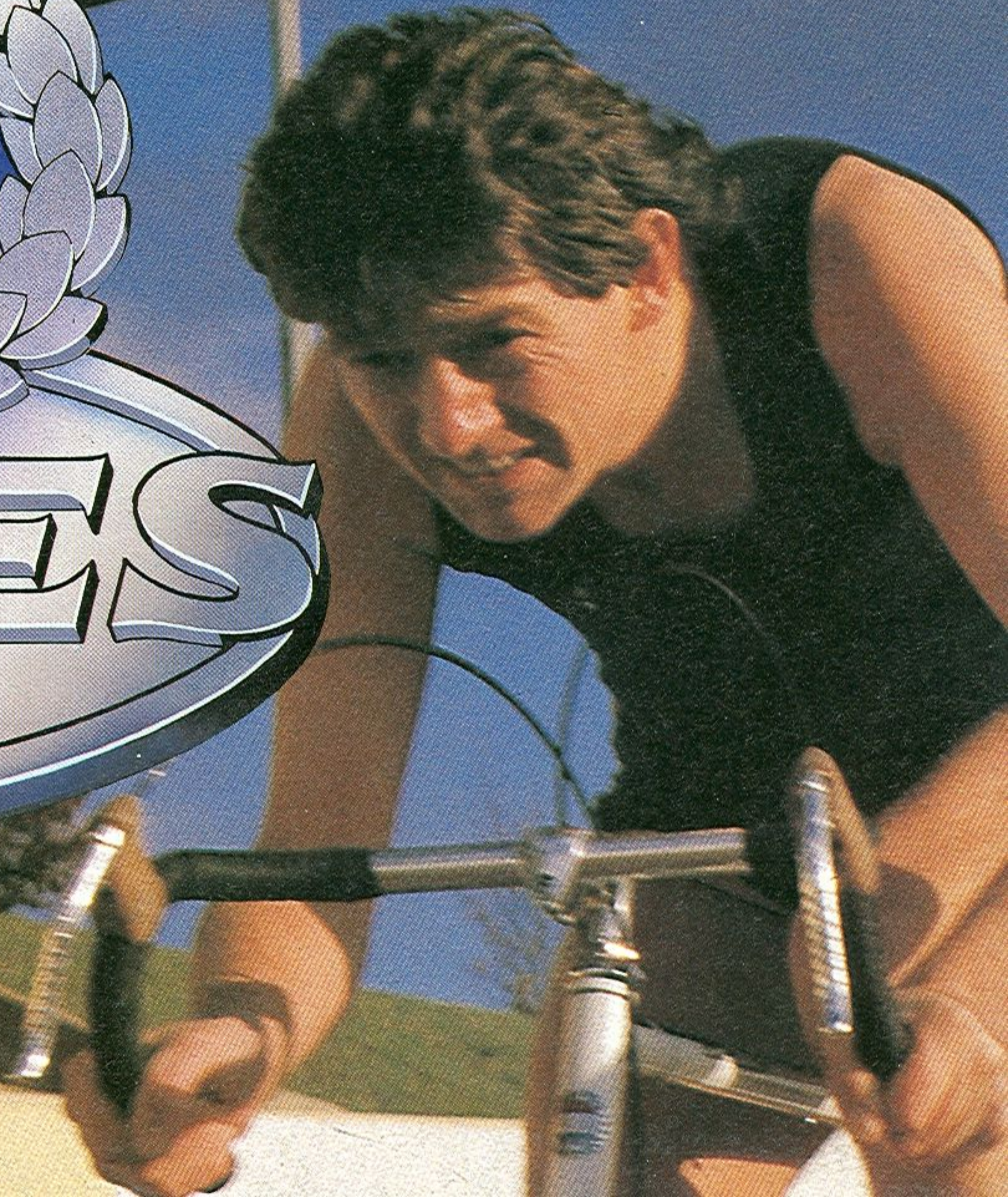


WELCOME
TO THE
WORLD
OF
DAIVES



DAWES CYCLES

Craftsman built for unmatched quality

Dawes have been renowned for high quality, craftsman-built cycles since 1926. Today these traditions are as strong as ever and are evident in every stage of the manufacturing process. Built with care and pride, every Dawes cycle displays the same highly skilled workmanship and fine quality materials that have made Dawes a byword for all that's best in cycles.

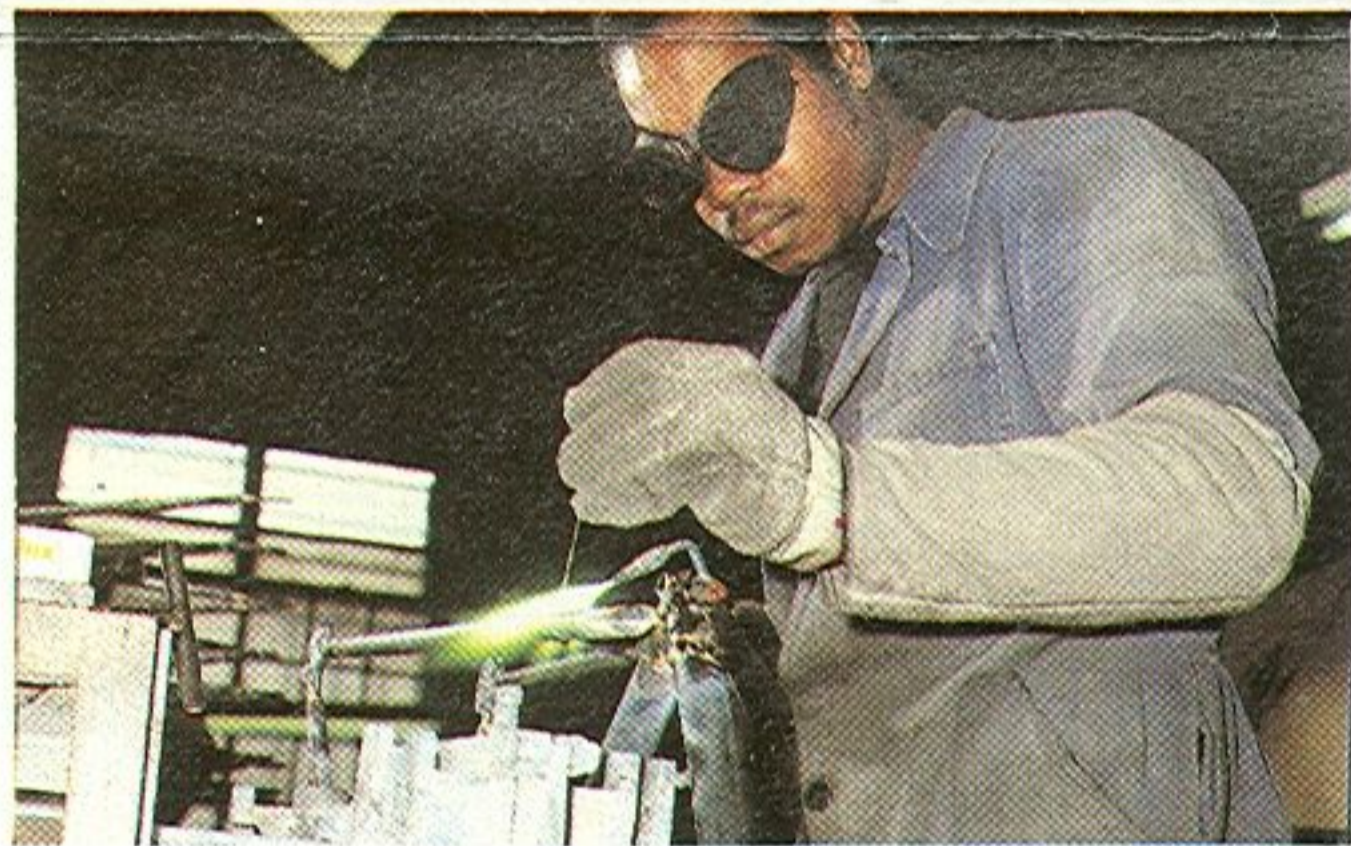
Building the Frame

Each frame is constructed from high grade, lightweight carbon steel tubing, carefully selected for each model to give optimum performance. Extralight Reynolds 531 tubing is used for the top models.

Lugged Frames

The tubes are first fully mitred at both ends to precise specifications, then the ends are hand polished for good brazing adhesion. Each frame is hand built on a precision table. It is drilled and pegged into place, then each joint is brazed by hand in a set sequence which cancels stress.

On each frame two hot setting and cold setting operations are carried out to ensure perfect alignment. All fittings are attached by 'Bronze Welding' which provides strong, ductile joints at low temperature, enabling the tubing to retain its tensile strength.



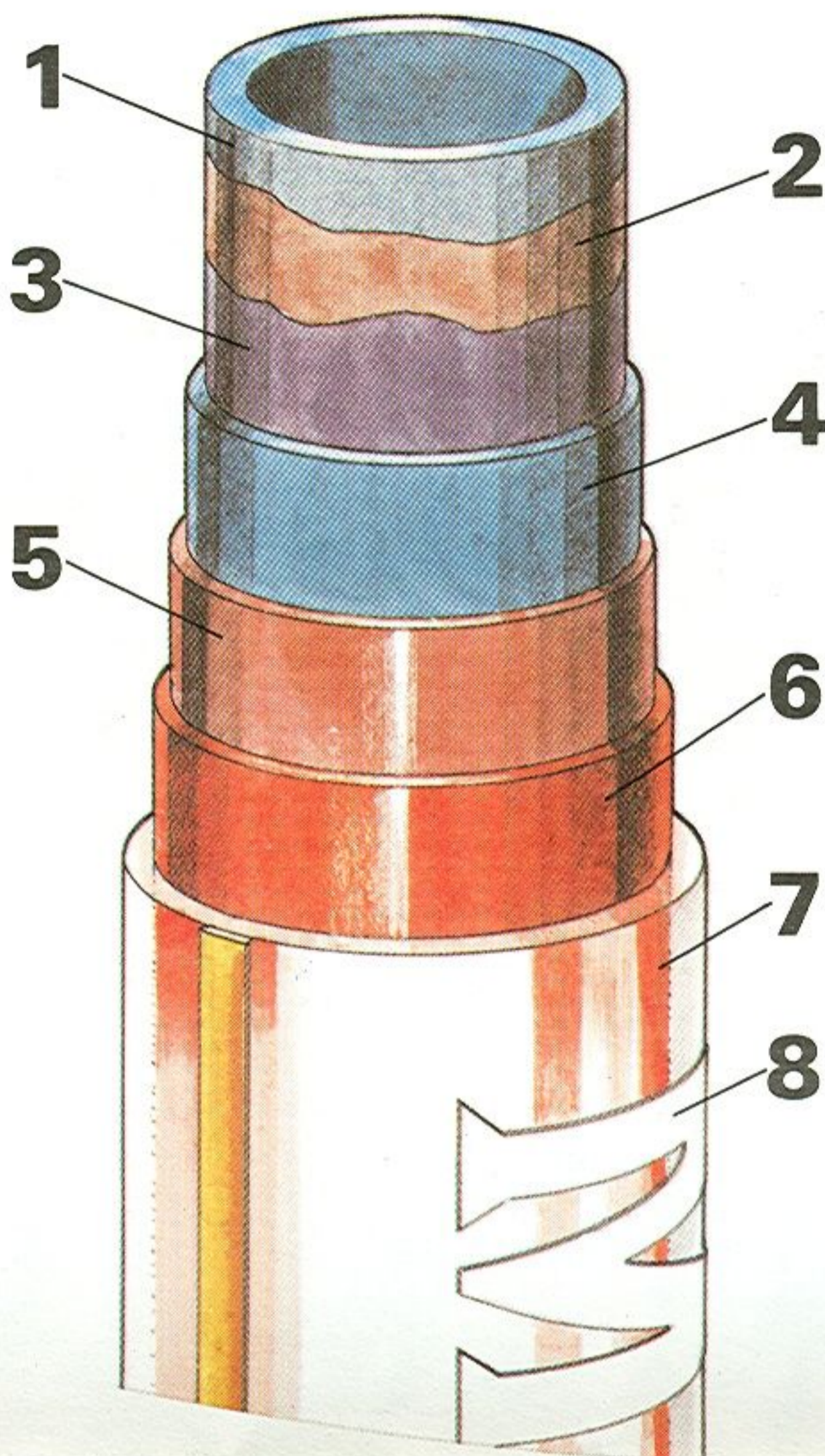
Welded Frames

Every tube is individually mitred, then the frames are assembled and welded by hand in precision jigs to eliminate distortion. 'Phosphor Bronze' low temperature welding ensures that no undue strain is set up through expansion and contraction during the heating of the frame. Maximum strength is retained in the lightweight tubing and a smooth finish is obtained.

Every frame and fork is then fully inspected and checked for perfect alignment, track and wheel centre. All inspection is individually carried out by expert craftsmen, before frames are passed for painting.

Painting the Frame

Every frame undergoes eight separate processes before it emerges from the paint shop beautifully decorated and in its final glowing colours. It is first shotblasted or chemically cleaned (1) for a high quality surface finish, then any excess metal is removed from around the joints, (2) allowing the fine lug work to be delicately finished and polished. Frames and forks are rustproofed to ensure complete rust inhibition, even if the paint becomes scratched or chipped in use, (3). The system also prevents rust from spreading beneath the surface.



Next a primer undercoat (4) is electrostatically applied to ensure the long lasting effect of the colour treatment, after which the frame has its first stoving treatment. After stoving every primer coated frame is inspected and then hand sprayed with its silver or coloured base coat (5). It is stoved again, then the top coat is applied in one of the deep and lustrous colours (6) for which Dawes cycles are noted.

A clear lacquer varnish (7) seals the colour for maximum durability and richness, and the frame is stoved for the last time. Then hand applied decoration (8) transforms the frame into a branded, christened and finished product. Finally a skilled artist picks out the lugs, crown and bracket features in gold, brown or black with a fine brush, and lines a decorative pattern on the scalloped top of the seat stay on some of the sports models.



Building the Wheels

Dawes wheels are hand built by skilled lacers and truers. The spokes are woven together for maximum strength in a complex and difficult process which is almost unique to Dawes. Once built, each wheel is individually balanced — another skilled process as it can take even an expert up to 20 minutes to balance a racing wheel to his satisfaction.

Assembly

Every Dawes cycle is built by one man at his workbench. There is no assembly line of bored unskilled workers, each adding a small part to the finished product. Instead, the assembly of each machine relies on the fitting skill of one responsible craftsman and the company's experience in selecting quality components to match and balance against each other, achieving the perfect combination for each model in the range.

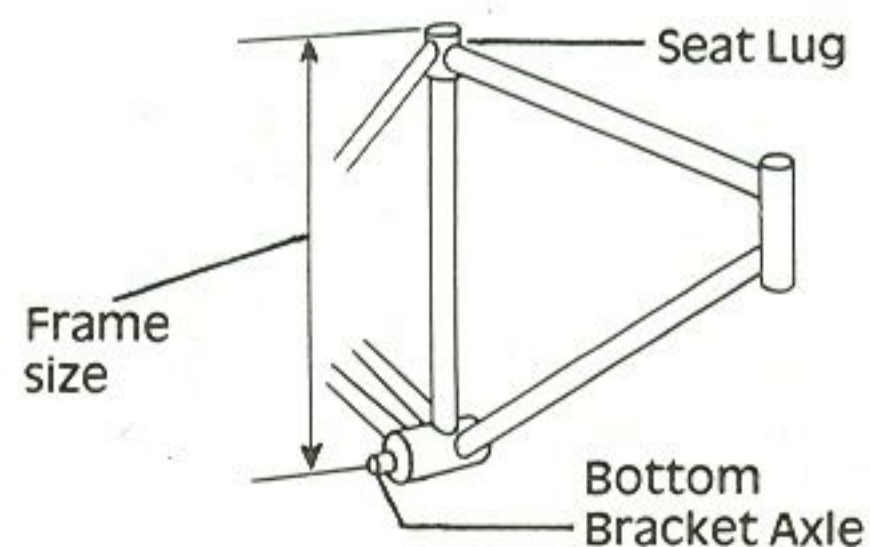


Safety

Dawes cycles have been submitted to full controlled independent laboratory tests and have satisfied the strictest safety standards in the world, including the American C.P.S.C. Bicycle Safety Regulations. Constant development is always in progress to ensure that they remain at the forefront in every way.

How to choose the right size of cycle

Suggested Frame sizes	Leg measurement (crotch to ground)
21"	30"—34"
22½"	31.5"—35.5"
23½"	33"—37"
25¼"	35" and up



DRacing

The thrill of owning a racing bike — the exhilaration of a fast responsive ride — the lively handling — the agility through corners — the firm characteristics of the close clearance frame — the pride of owning a Dawes hand built precision machine — using traditional methods by craftsmen in Birmingham, England.

Racing Features

Close geometry. Top performance on a Dawes racing bike is achieved by the selection of a close clearance frameset and a short wheelbase which together provides a firmer more exciting ride and more effective transmission of power.

12 speed close ratio gears allow a high level of power to be maintained ensuring the maintenance of even tempo against high winds or difficult terrain.

Lightweight components — Every effort is put into reducing the total weight of a Dawes machine. Unnecessary components are omitted and the lightest alloy components — such as chainsets, small flange alloy hubs, handlebars and brakes are fitted. And of course all of our racing cycles use the extra light Reynolds 531 Double Butted tubing.

High pressure ultra-light narrow section rims and wired on Michelin Elan tyres are fitted — high performance is ensured with low rolling resistance, and with 700C wheels you can change to tubulars with ease if preferred.

Para rubber brake hoods serve as a comfortable yet powerful gripping point when riding on the top. Adhesive cloth handlebar tape absorbs perspiration and gives a strong grip when the going gets tough.





ATLANTIS The racing thoroughbred

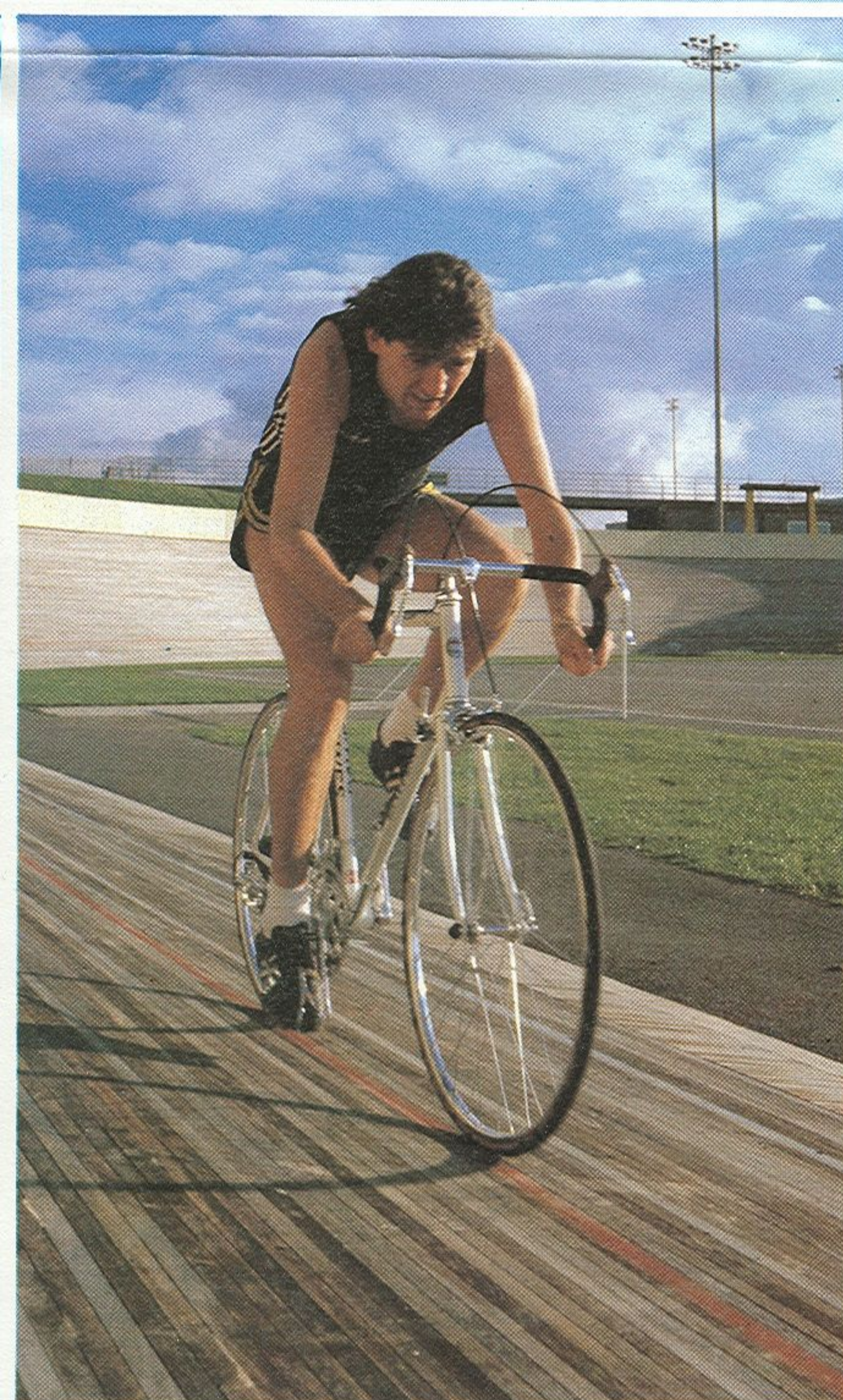
Designed and built for top performance. Fast, responsive, lively — the handbuilt precision racing machine. Reynolds 531 Double Butted tubing throughout, close clearance 73° parallel handbuilt frame. Short wheelbase, components 100% lightweight alloy. Be someone special and buy a racing cycle with a beautifully designed handpainted frame. Double Blue — the sea and the sky — Atlantis. TOTAL WEIGHT 22 lbs.



ECHELON For training or racing

Hand built for training or racing. This performance machine will appeal to both competitive cyclists and keen leisure riders alike. It is an exhilarating thoroughbred with lively and responsive handling. Reynolds 531 Double Butted main tubes, 73° close clearance racing frames, ultra light alloy narrow section rims.

TOTAL WEIGHT 23 lbs.



RACING SPECIFICATION

MODEL NAME	ATLANTIS	ECHELON
Frame Sizes	21", 22½", 23½", 25¼"	21", 22½", 23½", 25¼"
Frame Material	531 Double Butted throughout	531 Double Butted main tubes
Frame Angles	73° parallel	73° parallel
Fork Blades	531 Double Butted, 35mm offset, forged ends	35mm offset, forged ends
Color	Sunburst double blue	White Frost
Weight (Approx)	22lbs.	23lbs.
Handlebars	Maes, racing shape blue cloth tape	Maes, racing shape, black cloth tape
Brakes	Weinmann 605 sidepull, racing quick release stirrups, para hoods	Weinmann 500 sidepull, racing quick release levers, para hoods
Crankset	SR 42/52T forged, detachable rings	SR 40/52T forged, detachable rings
Freewheel	13/15/17/19/21/24 Gold finish	14/16/18/20/22/24
Derailleur Rear	Suntour VX Racing	Suntour VX Racing
Derailleur Front	Compe V	Compe V
Control Levers	Power, Ratchet mechanism	DLW light alloy
Hubs	Small flange, quick release	Small flange, quick release
Wheels	700C x 1¼" alloy narrow section rims, chromed spokes	700C x 1¼" alloy narrow section rims, chromed spokes
Tires	Michelin Elan	Michelin Elan
Saddle	Condor leather, Micro adjustable seat pillar, Allen key seat bolt	Racing with covered top
Fenders	None, frame geometry clearance for Esge	None, frame geometry clearance for Esge
Pedals	Deluxe Quill alloy with toeclips and straps	Quill alloy with toeclips and straps
Special Features	Gold finish chain and block	

Touring

A man and a woman are shown in profile, looking at a map. The man is on the left, wearing a light-colored sweater over a collared shirt. The woman is on the right, wearing a textured, light-colored sweater, and is pointing with her right hand towards the map. They are outdoors, with a stone building and trees in the background. The scene is lit with warm, golden light, suggesting late afternoon or early morning. A large, stylized graphic of the word 'Touring' is overlaid on the top left of the image.

TOURING

Touring — Designed to cater for both long distance riding and normal town use, Dawes Touring bikes combine specialist touring components with some of the lightweight features of a racing bike. Dawes traditional attention to detail ensures maximum comfort and dependability with superior handling. A good example of this attention is the use of Randonneur Handlebars on all of the touring bikes. These specially designed touring bars provide a higher more comfortable riding position than the normal racing bars and give added safety in town use. Also gear ratios have been carefully calculated to give sensible flexibility across a wide range of weight loads and varying terrain. For over 50 years Dawes craftsmen have been designing and building touring cycles to give pleasure to serious cyclists across the widely varying road conditions of England, Scotland, Ireland and Wales.

N.B. For organised touring contact the League of American Wheelman, P.O. Box 988, Baltimore, Maryland 21203.



SUPER GALAXY

The ultimate touring machine

The Super Galaxy is designed specifically for high speed long distance touring, giving the serious rider the utmost in riding comfort, combined with the superior handling characteristics found in a top quality bicycle. It is recommended by the British Cyclists Touring Club as one of the best specification factory-built bicycles, ideally suited to almost all riders requirements. Craftsman built 72° parallel angled frame. Reynolds 531 Double Butted main tubing. The chainset is a T.A. triple from France, the saddle real leather from Brooks of England, both components are those specified by real enthusiasts for many years. If you tour on a Super Galaxy you can be sure you are touring on the best equipped machine available today.



GALAXY The Classic Tourer

The choice of thousands of experienced tourists, the merits of this cycle have been proved over millions of miles. Reynolds 531 Double Butted main tubes. Alloy cotterless chainwheel set, wide ratio gears for effortless touring. Foam padded saddle, toe clips and straps, quick release alloy wheels and of course the entire design is co-ordinated to ensure maximum comfort over extended distances.

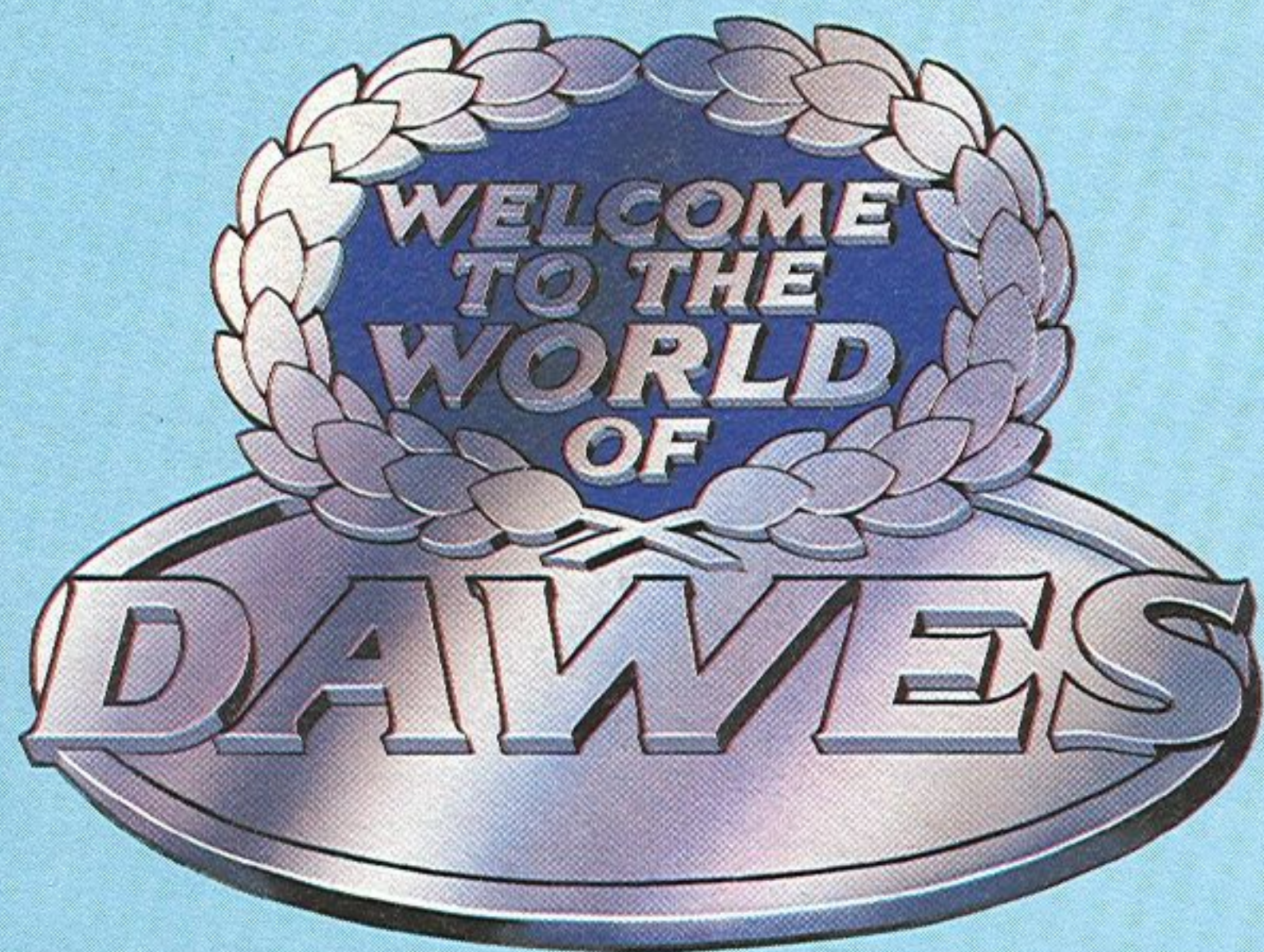


LADY GALAXY

Now the Lady has a truly well designed touring cycle to suit her needs. The unique frame has the lightness and stiffness for long distance touring, yet it is easy to mount. It has all the lightweight components and proven design characteristics of the Gentleman's Galaxy and yet the Lady's needs have really been considered — lower gearing (36/48T crankset), short reach stem and a comfortable anatomically designed saddle.

TOURING SPECIFICATION

MODEL NAME	SUPER GALAXY	GALAXY	LADY GALAXY
Frame Sizes	21", 22½", 23½", 25¼"	21", 22½", 23½", 25¼"	19½", 21"
Frame Material	531 Double Butted main tubes	531 Double Butted main tubes	531 main tubes
Frame Angles	72° parallel	72° parallel	72° head / 74° seat
Fork Blades	Chromed 50mm offset, precision forged ends	Chromed 50mm offset, precision forged ends	Chromed 50mm offset, precision forged ends
Color	Black	Gold Mink	Gold Mink
Weight (Approx)	29lbs.	29lbs.	29lbs.
Handlebars	Randonneur, touring shape, black cloth tape	Randonneur, touring shape, brown cloth tape	Randonneur, touring shape, brown cloth tape
Brakes	Weinmann alloy centrepull, quick release levers	Weinmann alloy centrepull, quick release levers	Weinmann alloy centrepull, quick release levers
Crankset	TA 36/48/52T Cyclotourist forged, detachable rings	SR 40/52T forged, detachable rings	SR 36/48T forged, detachable rings
Freewheel	14/17/21/26/32	14/17/20/24/28	14/17/20/24/28
Derailleur Rear	Suntour Cyclone GT Touring	Suntour VXT Touring	Suntour VXT Touring
Derailleur Front	Cyclone	Compe V	Compe V
Control Levers	Power, Ratchet mechanism	DLW light alloy	DLW light alloy
Hubs	Large flange, quick release	Large flange, quick release	Large flange, quick release
Wheels	27" × 1¼" alloy high pressure rims	27" × 1¼" alloy high pressure rims	27" × 1¼" alloy high pressure rims
Tires	Michelin Speed, touring tread	Michelin Speed, touring tread	Michelin Speed, touring tread
Saddle	Brooks B17 leather, Micro adjustable seat pillar, Allen key seat bolt	Dawes touring padded, with bag loops	Ladies Anatomical with bag loops
Fenders	Full Esge Chromoplastic with mudflap	None, Clearance for Esge Chromoplastic	None, clearance for Esge Chromoplastic
Pedals	Deluxe Quill alloy with toeclips and straps	Quill alloy with toeclips and straps	Quill alloy with toeclips and straps
Special Features	Integral pannier carriers both front and rear	Eyes for fitting carriers and fenders both front and rear	Eyes for fitting carriers and fenders both front and rear



Dawes Cycles

M.Y. Sports Inc.,
850 Sherman Avenue,
Hamden, CT 06514

Telephone (203) 281-5000
Telex No: 966484

Dawes Cycles Limited reserve the right to adjust prices, change colour and amend specifications and substitute fitments without giving prior notice. Before purchase, please check with your dealer in case a change in specification has been made.

Dawes Cycles guarantee its products against any defect in workmanship or materials, provided the product has not been damaged by accident, abuse, alteration or misuse. In offering this guarantee, Dawes in no way seeks to diminish or restrict the statutory rights of a purchaser of any of its products.

Sold and serviced by:

In a world of mass production there's something rather special about a Dawes